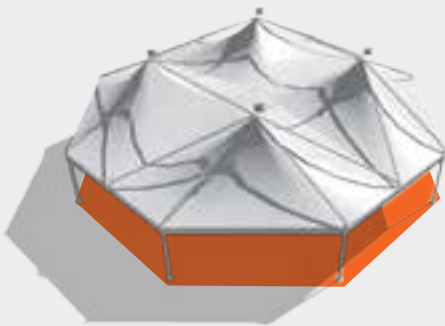
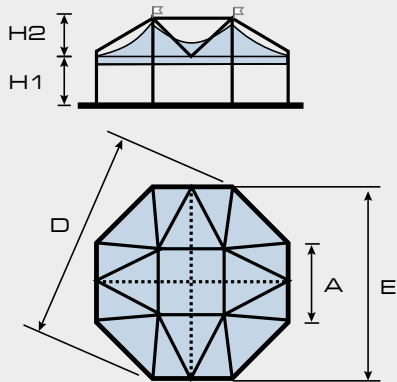




MEETING

DIMENSIONS

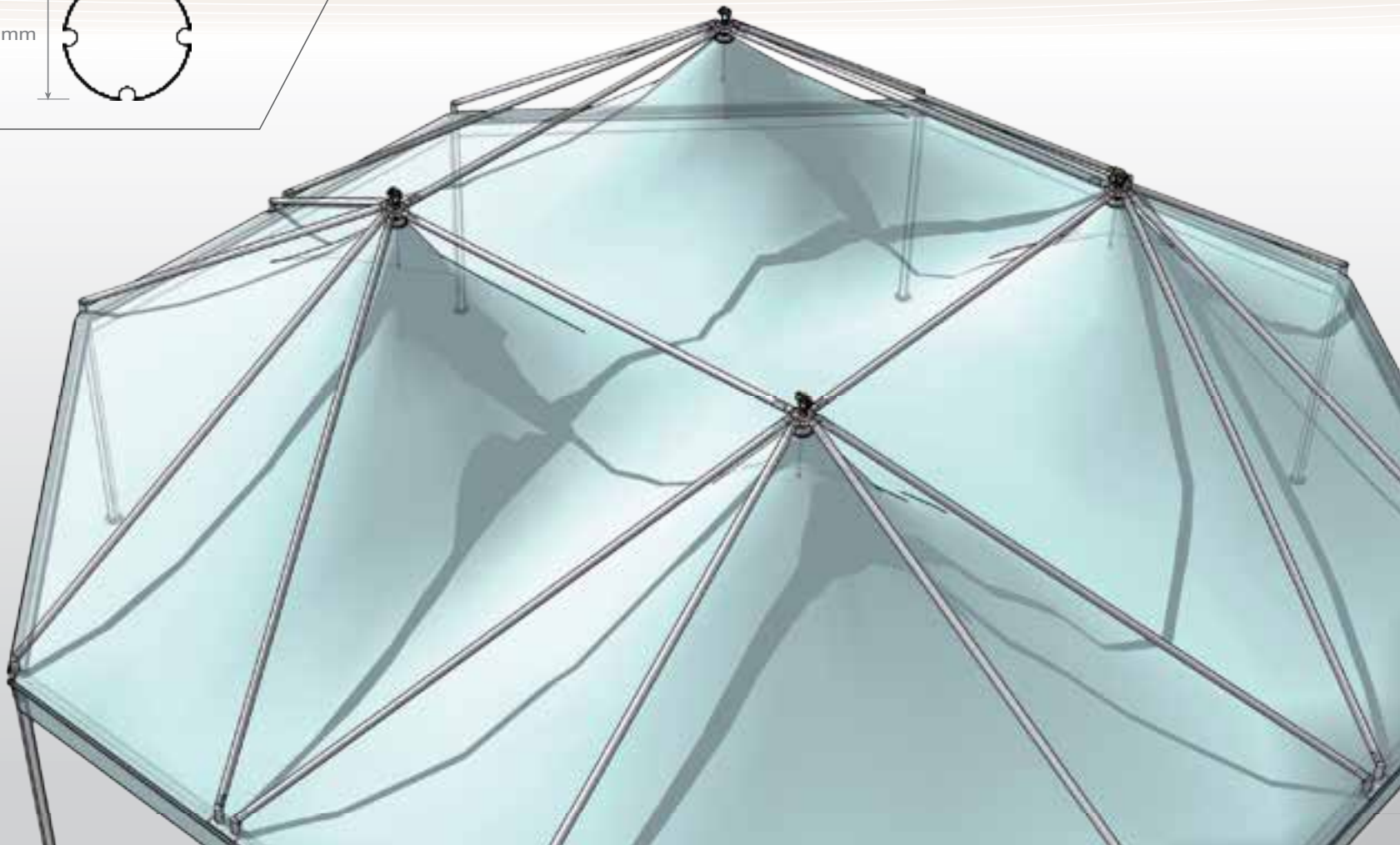
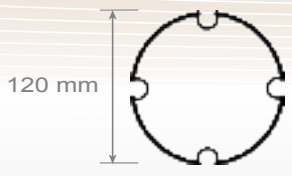
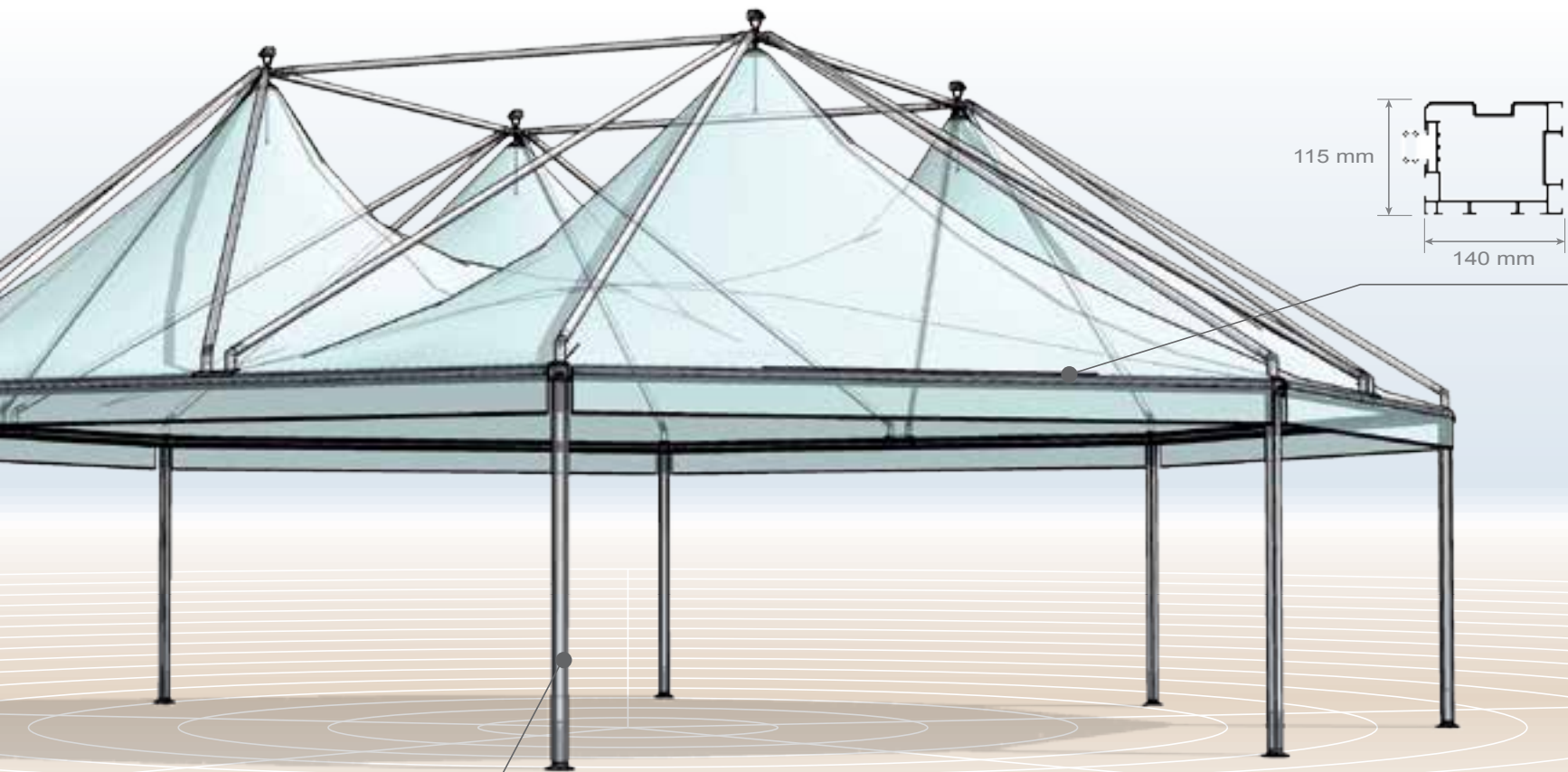


A (cm)	H1 (cm)	H2 (cm)	AREA (m ²)	D (cm)	E (cm)
500	*	280	120,0	1305	1205
600	*	330	174,0	1570	1450

* = The tent is supplied with static calculations for a max eave height of 300 cm.

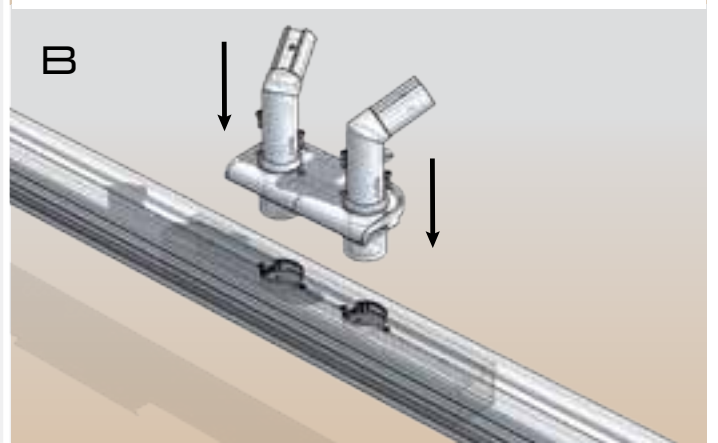
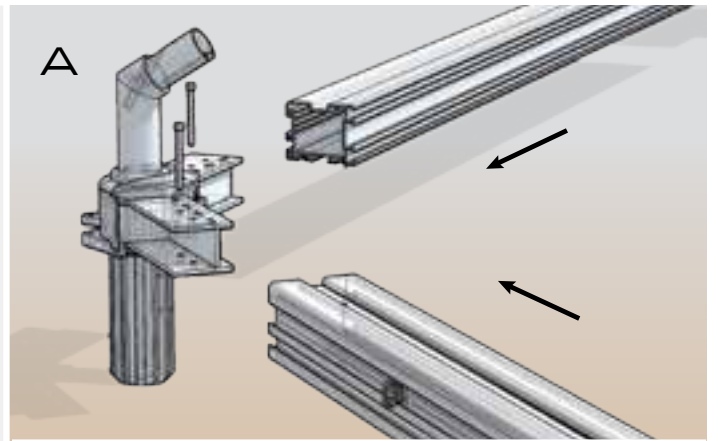


TECHNICAL DETAILS

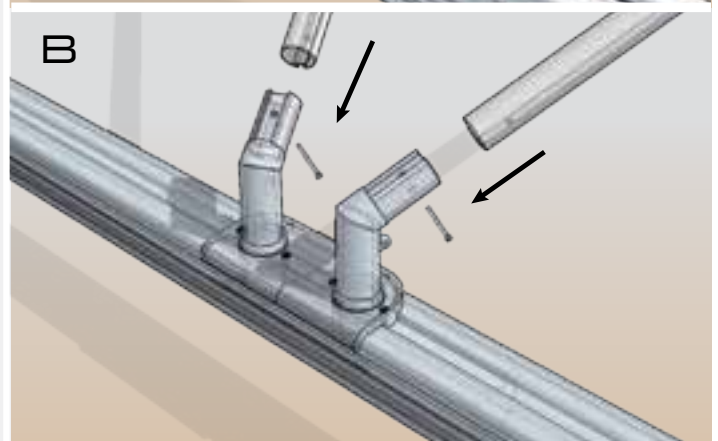
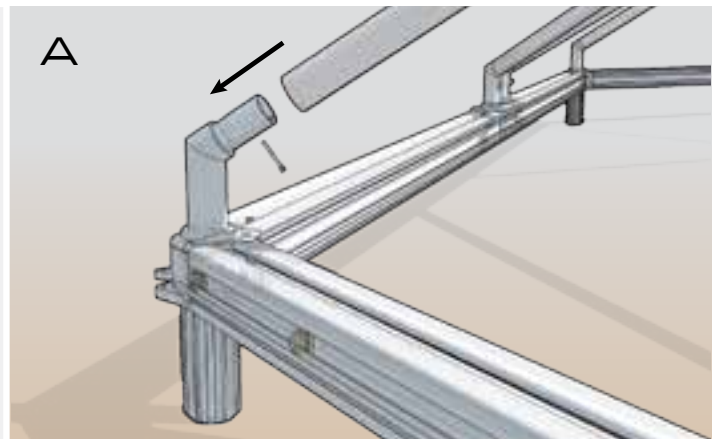
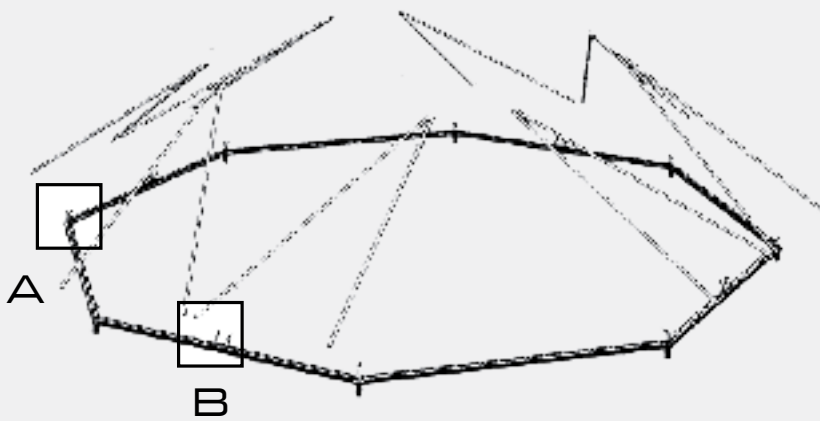


ASSEMBLY

1

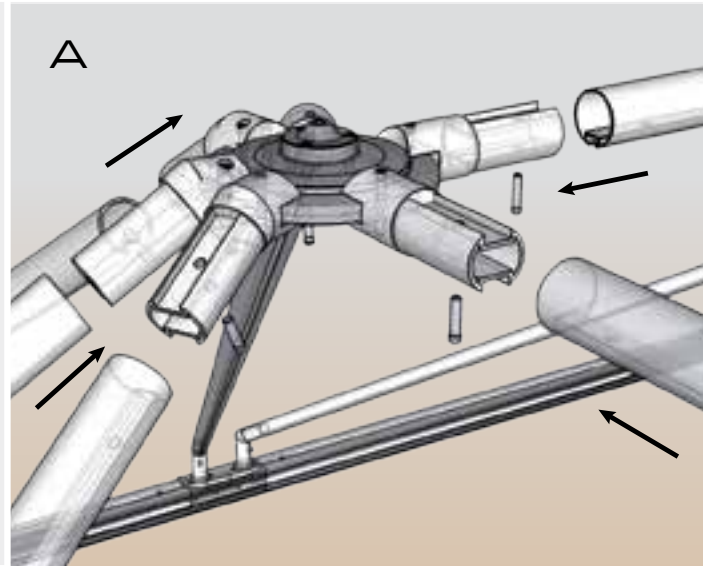
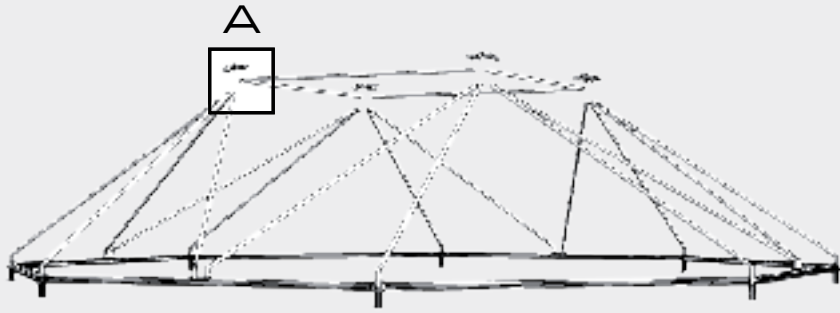


2

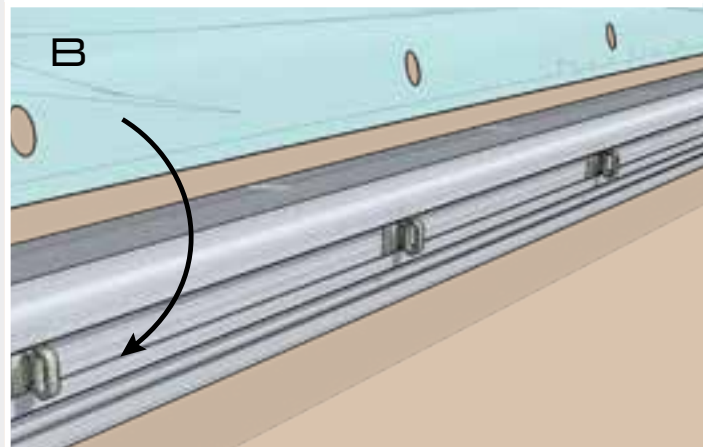
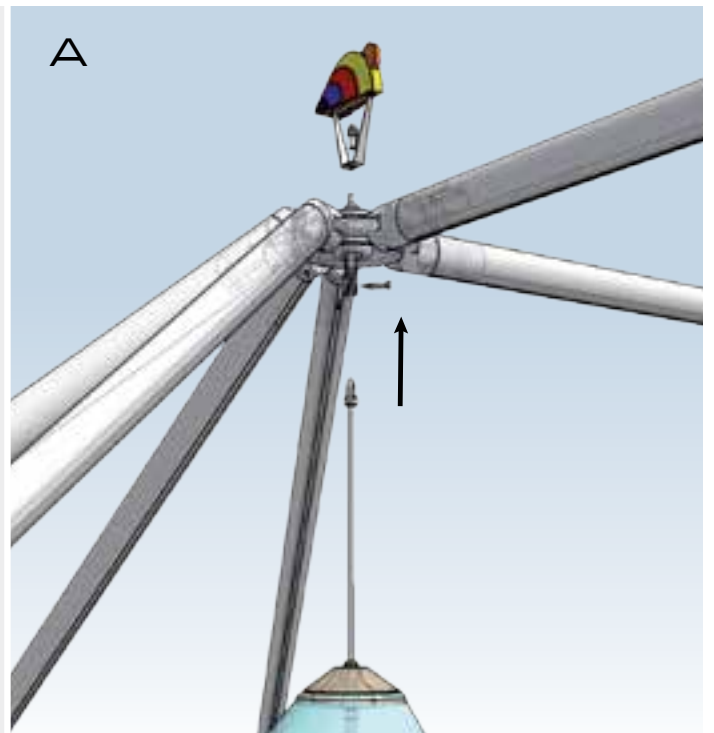
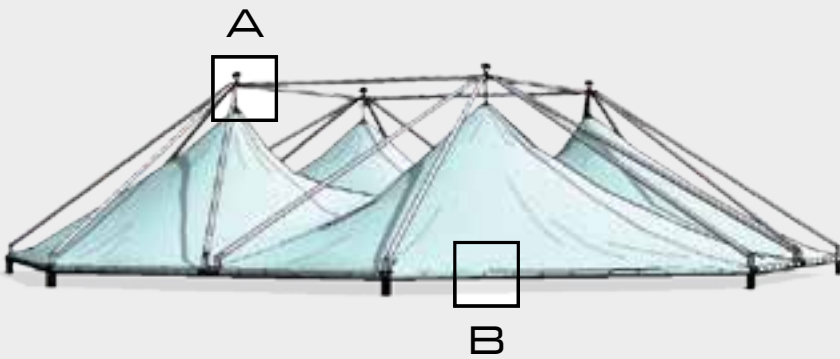


ASSEMBLY

3

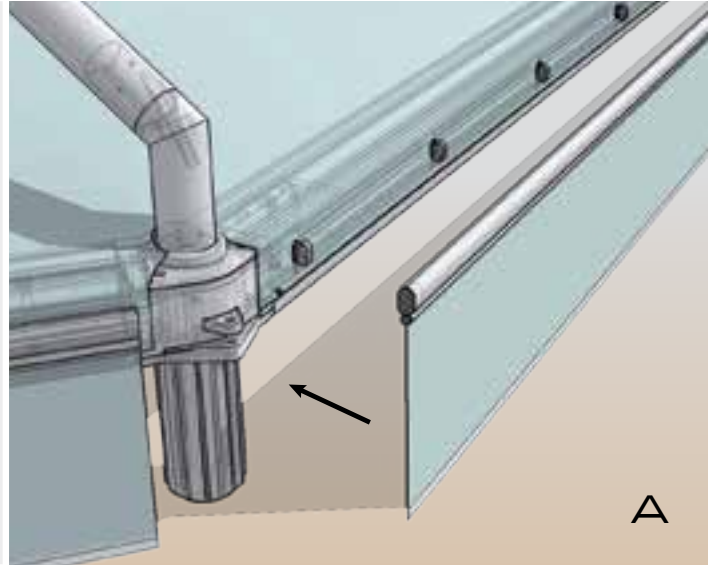
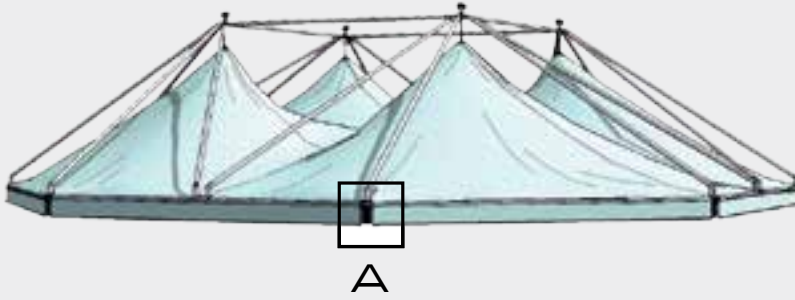


4

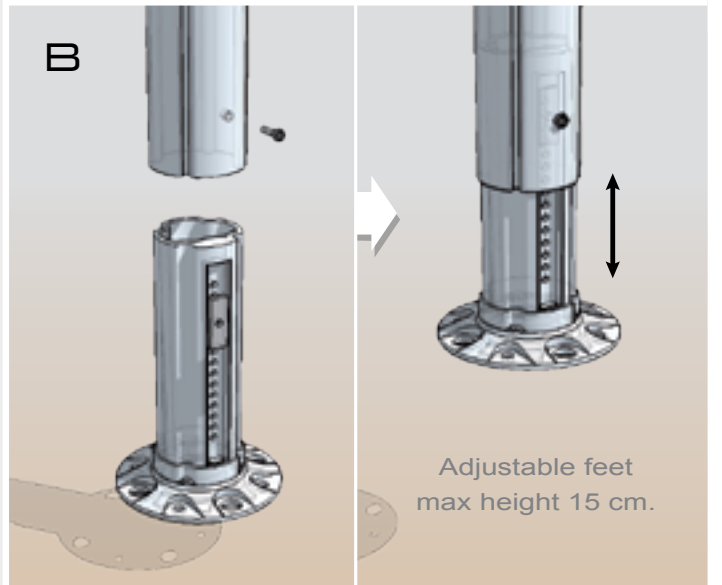
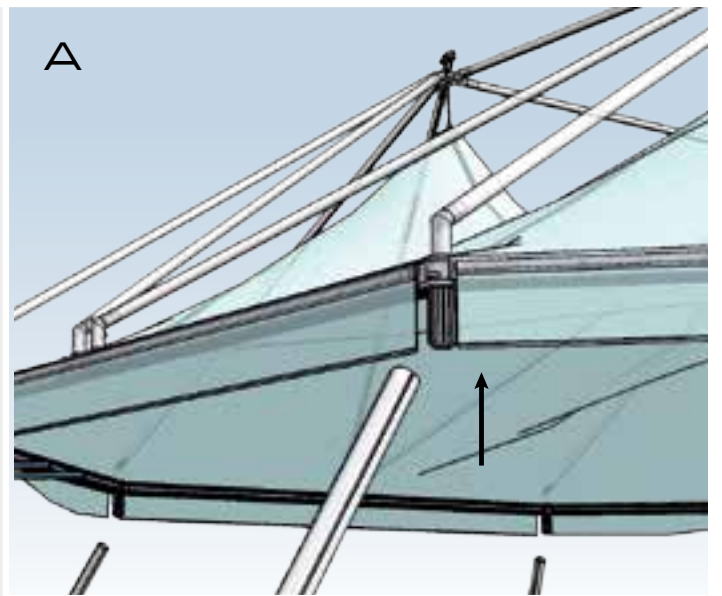
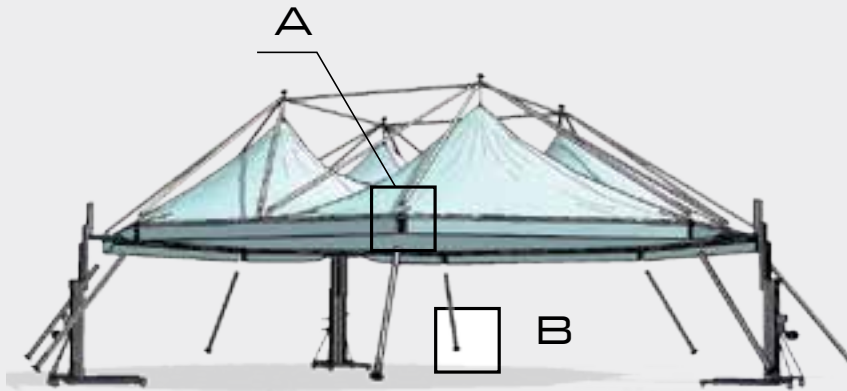


ASSEMBLY

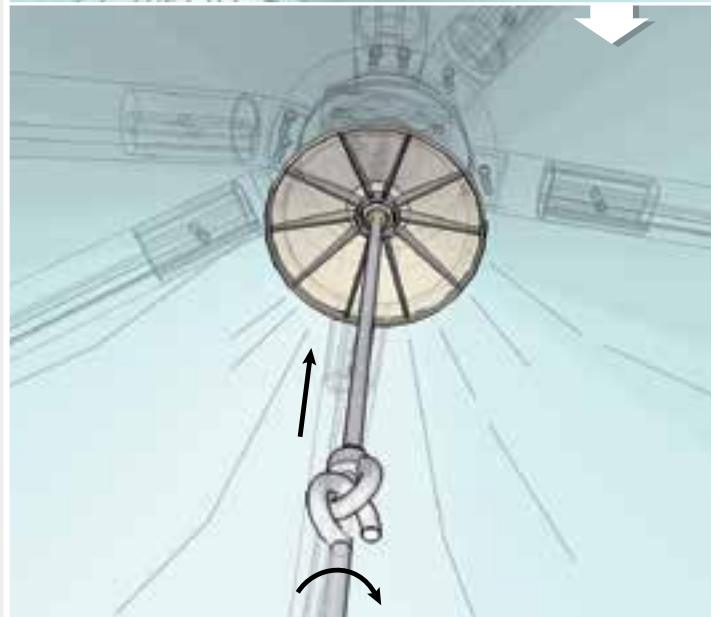
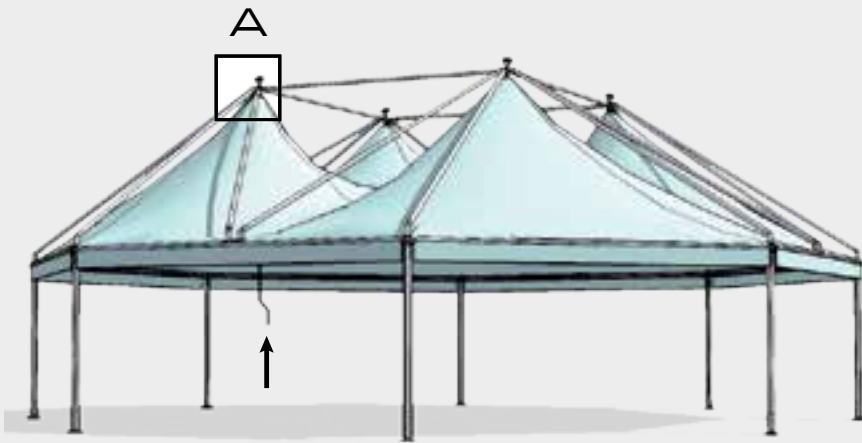
5



6

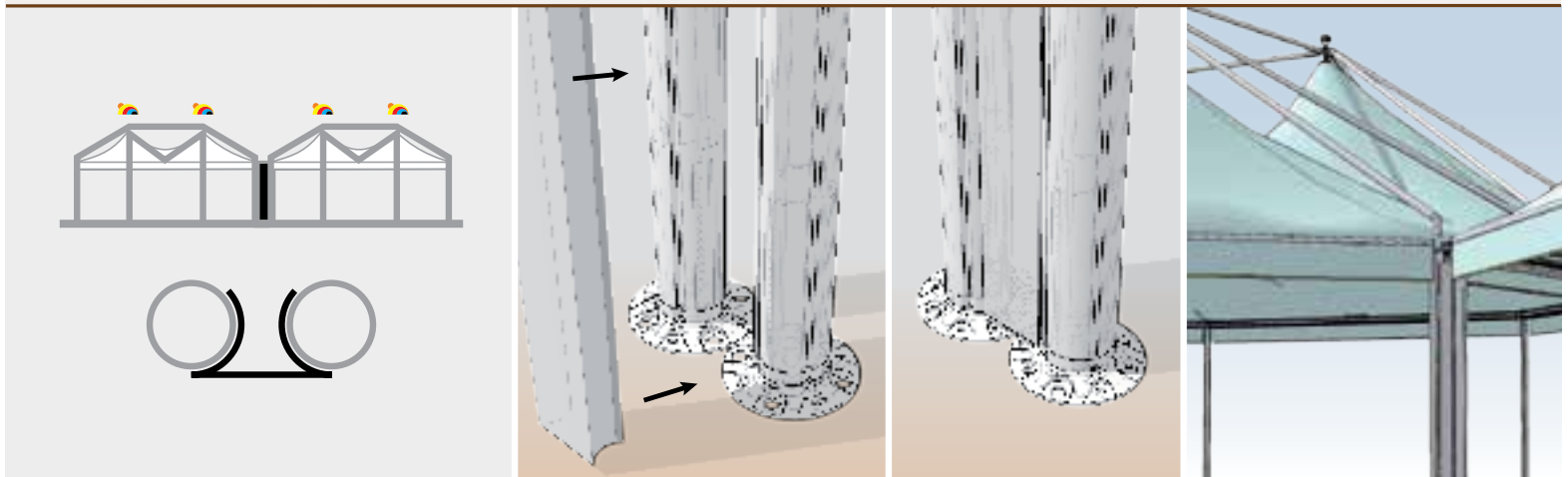


7

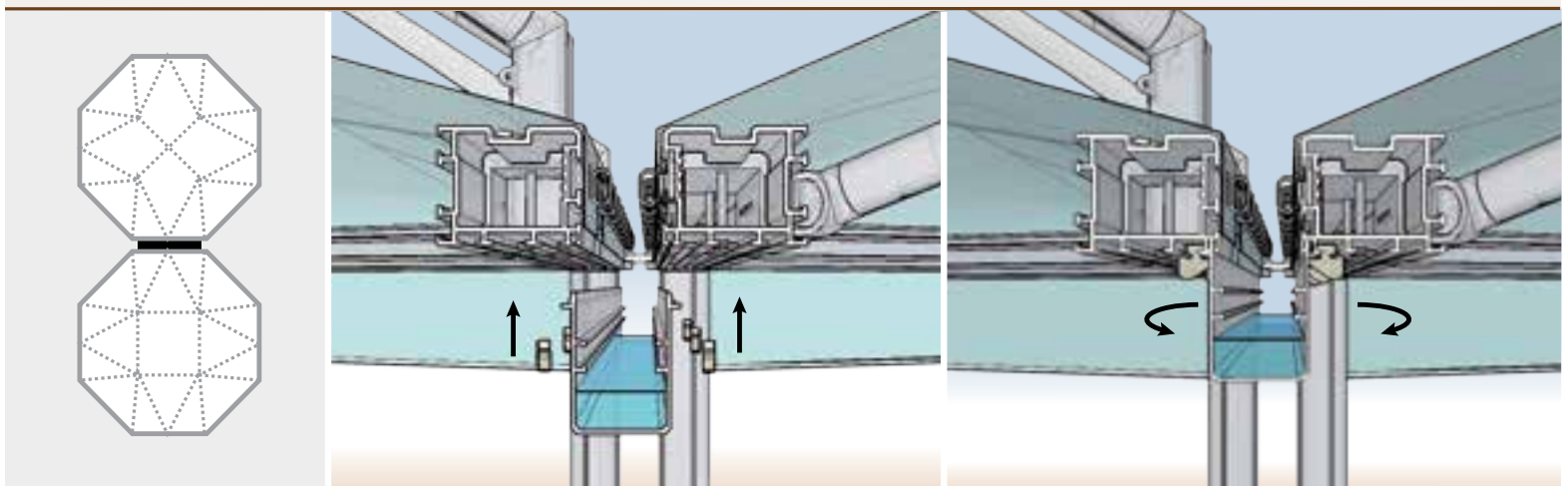


OPTIONS - FRAME

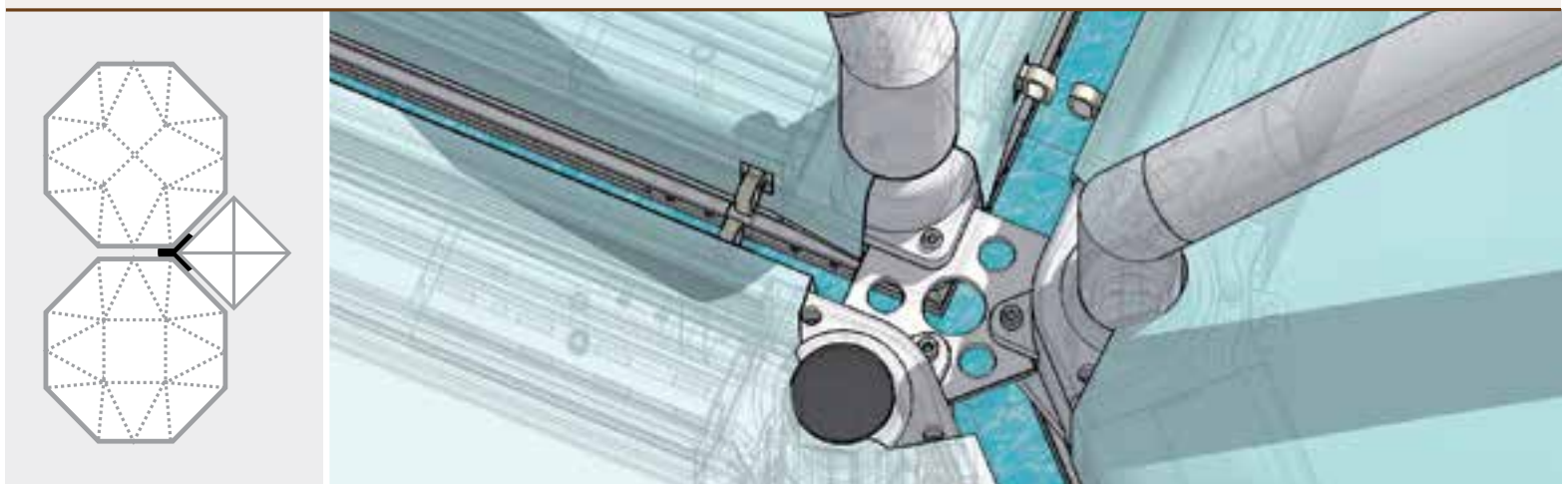
JUNCTION FILLER



KIT FOR MODULES' CONNECTION



CENTRAL JOINT







GIULIO BARBIERI
OUTDOOR SOLUTIONS

Giulio Barbieri S.r.l.

www.giuliobarbieri.it

Via Ferrara, 41

44028 Poggio Renatico (FE) - Italy

info@giuliobarbieri.it

Tel. (+39) 0532 821511

Fax (+39) 0532 821555

